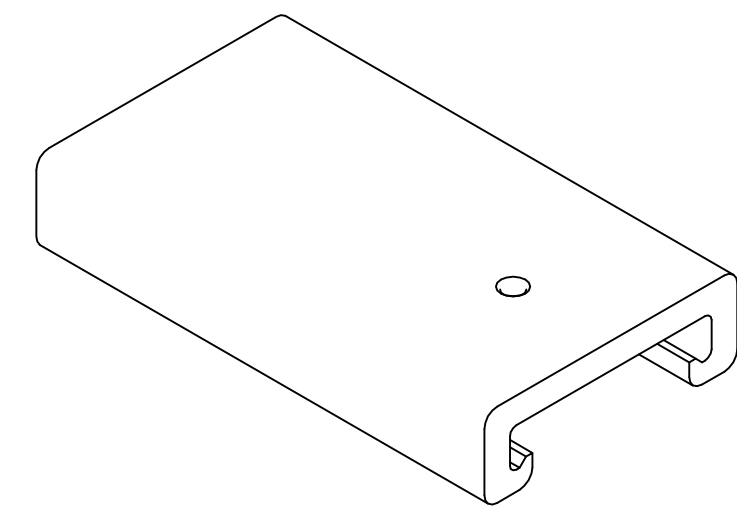
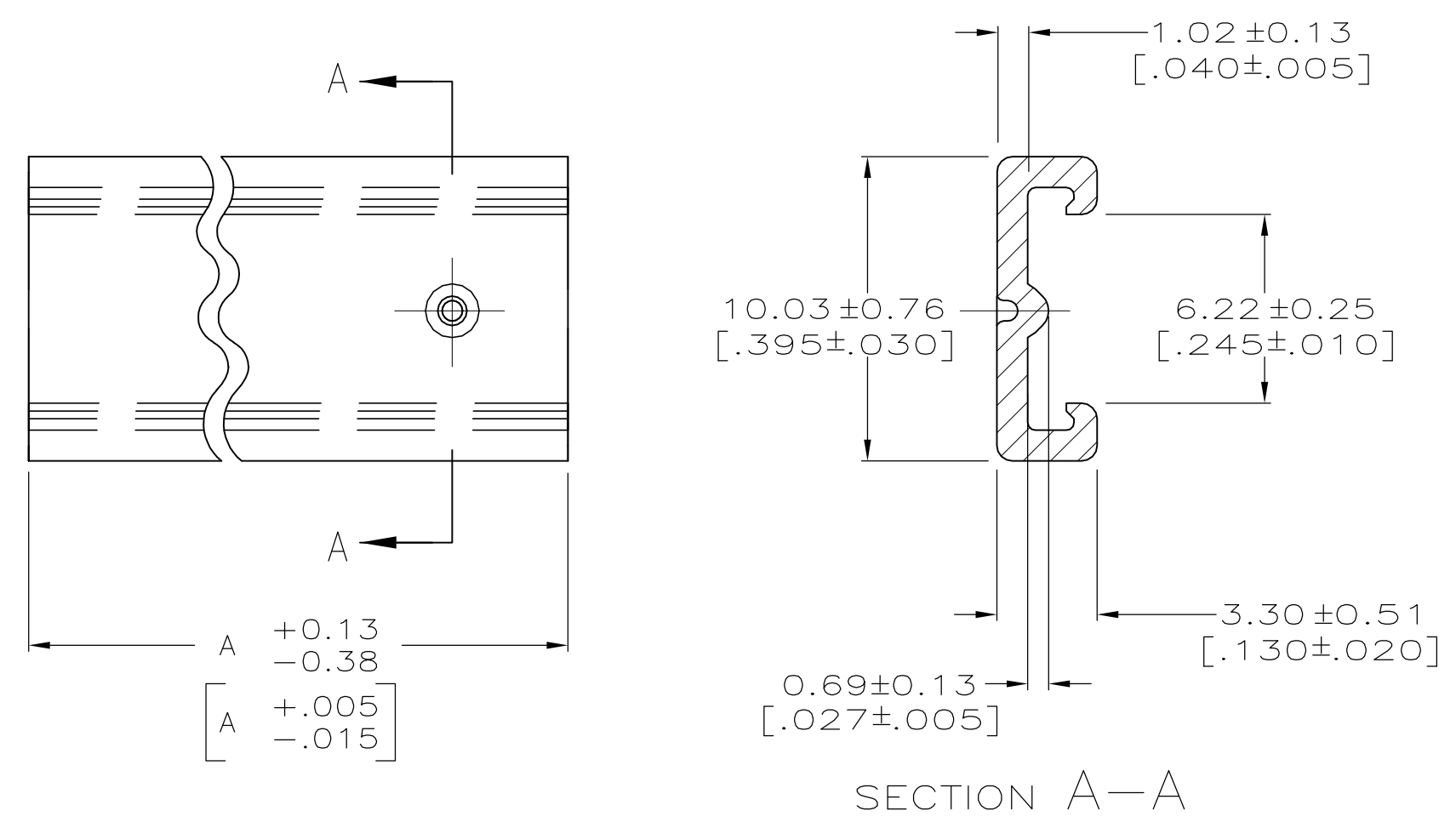


THIS DRAWING IS UNPUBLISHED. RELEASED FOR PUBLICATION
 © COPYRIGHT - By - ALL RIGHTS RESERVED.

| LOC | DIST | REVISIONS | | | |
|-----|------|-------------|---------------------------|---------|--------|
| P | LTR | DESCRIPTION | DATE | OWN | APVD |
| CM | 54 | P1 | REVISED PER ECO-11-004917 | 11MAR11 | RK HMR |

1. DIMENSIONS IN BRACKETS ARE IN INCHES.



3-DIMENSIONAL MODEL NTS

| | | | | |
|----|--------------|-------|---------|------------|
| 28 | CIRCUIT ASSY | 71.12 | [2.800] | 2-640642-8 |
| 27 | CIRCUIT ASSY | 68.58 | [2.700] | 2-640642-7 |
| 26 | CIRCUIT ASSY | 66.04 | [2.600] | 2-640642-6 |
| 25 | CIRCUIT ASSY | 63.50 | [2.500] | 2-640642-5 |
| 24 | CIRCUIT ASSY | 60.96 | [2.400] | 2-640642-4 |
| 23 | CIRCUIT ASSY | 58.42 | [2.300] | 2-640642-3 |
| 22 | CIRCUIT ASSY | 55.88 | [2.200] | 2-640642-2 |
| 21 | CIRCUIT ASSY | 53.34 | [2.100] | 2-640642-1 |
| 20 | CIRCUIT ASSY | 50.80 | [2.000] | 2-640642-0 |
| 19 | CIRCUIT ASSY | 48.26 | [1.900] | 1-640642-9 |
| 18 | CIRCUIT ASSY | 45.72 | [1.800] | 1-640642-8 |
| 17 | CIRCUIT ASSY | 43.18 | [1.700] | 1-640642-7 |
| 16 | CIRCUIT ASSY | 40.64 | [1.600] | 1-640642-6 |
| 15 | CIRCUIT ASSY | 38.10 | [1.500] | 1-640642-5 |
| 14 | CIRCUIT ASSY | 35.56 | [1.400] | 1-640642-4 |
| 13 | CIRCUIT ASSY | 33.02 | [1.300] | 1-640642-3 |
| 12 | CIRCUIT ASSY | 30.48 | [1.200] | 1-640642-2 |
| 11 | CIRCUIT ASSY | 27.94 | [1.100] | 1-640642-1 |
| 10 | CIRCUIT ASSY | 25.40 | [1.000] | 1-640642-0 |
| 9 | CIRCUIT ASSY | 22.86 | [.900] | 640642-9 |
| 8 | CIRCUIT ASSY | 20.32 | [.800] | 640642-8 |
| 7 | CIRCUIT ASSY | 17.78 | [.700] | 640642-7 |
| 6 | CIRCUIT ASSY | 15.24 | [.600] | 640642-6 |
| 5 | CIRCUIT ASSY | 12.70 | [.500] | 640642-5 |
| 4 | CIRCUIT ASSY | 10.16 | [.400] | 640642-4 |
| 3 | CIRCUIT ASSY | 7.62 | [.300] | 640642-3 |

| USED ON MTA 100 CONNECTOR ASSEMBLY AS LISTED | | A | PART NO |
|-------------------------------------------------------------------------------------------|--|----------------------------------------------------------------------|--------------------------------------------------|
| THIS DRAWING IS A CONTROLLED DOCUMENT. | | DWN T. BECK 7-10-91 | TE Connectivity COVER, FEEDTHRU, MTA-100 |
| DIMENSIONS: MM[INCHES] | | CHK R. SWING 7-10-91 | |
| TOLERANCES UNLESS OTHERWISE SPECIFIED: | | APVD T. WERT 7-10-91 | |
| 0 PLC ± - 1 PLC ± - 2 PLC ± - 3 PLC ± - 4 PLC ± - ANGLES ± ± - FINISH - | | PRODUCT SPEC - APPLICATION SPEC - WEIGHT - CUSTOMER DRAWING | |
| MATERIAL POLYESTER, UL 94V-0 NATURAL | | NAME SIZE CAGE CODE DRAWING NO A2 00779 G-640642 | RESTRICTED TO - SCALE 5:1 SHEET 1 OF 1 REV P1 |